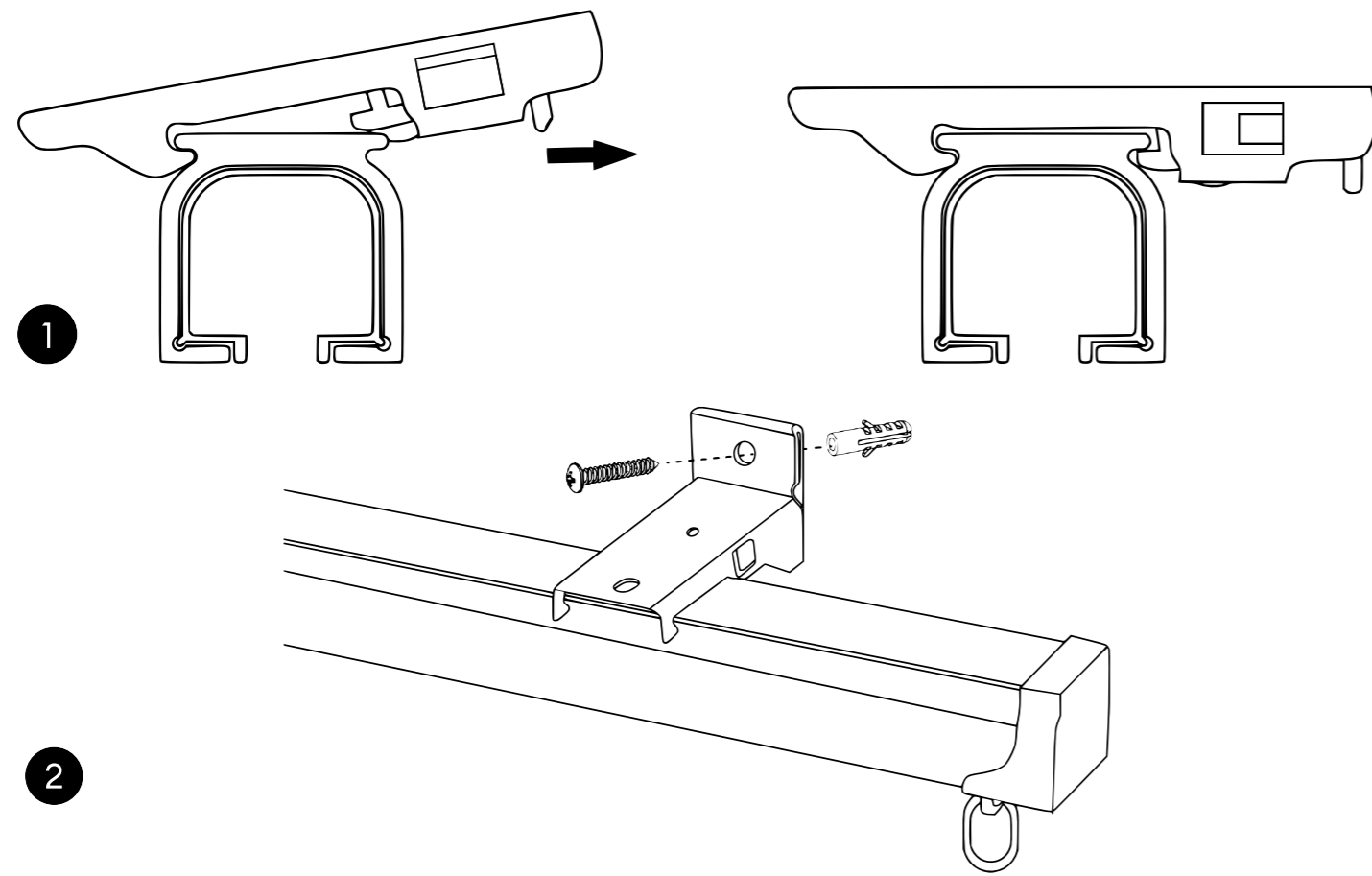
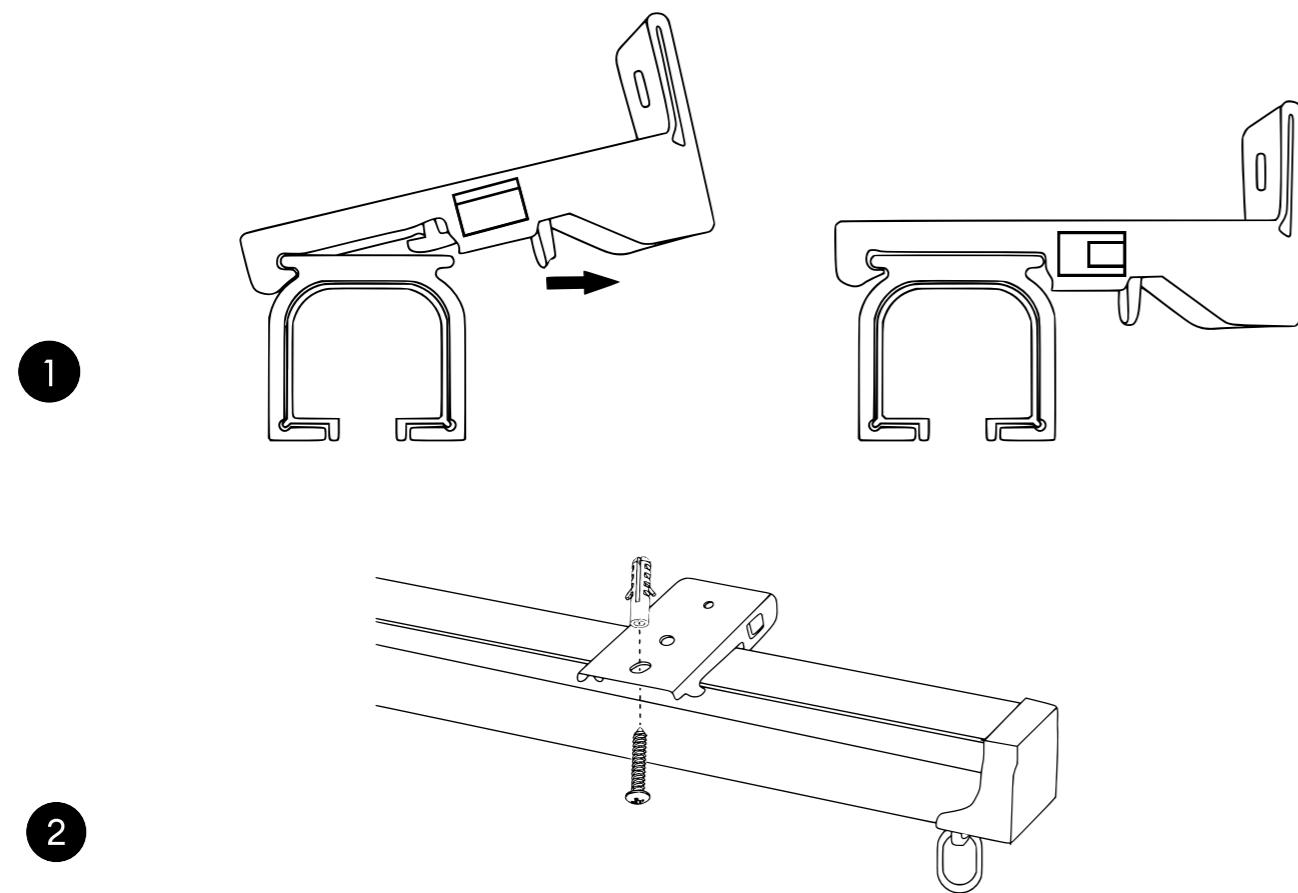


Sliding track installation



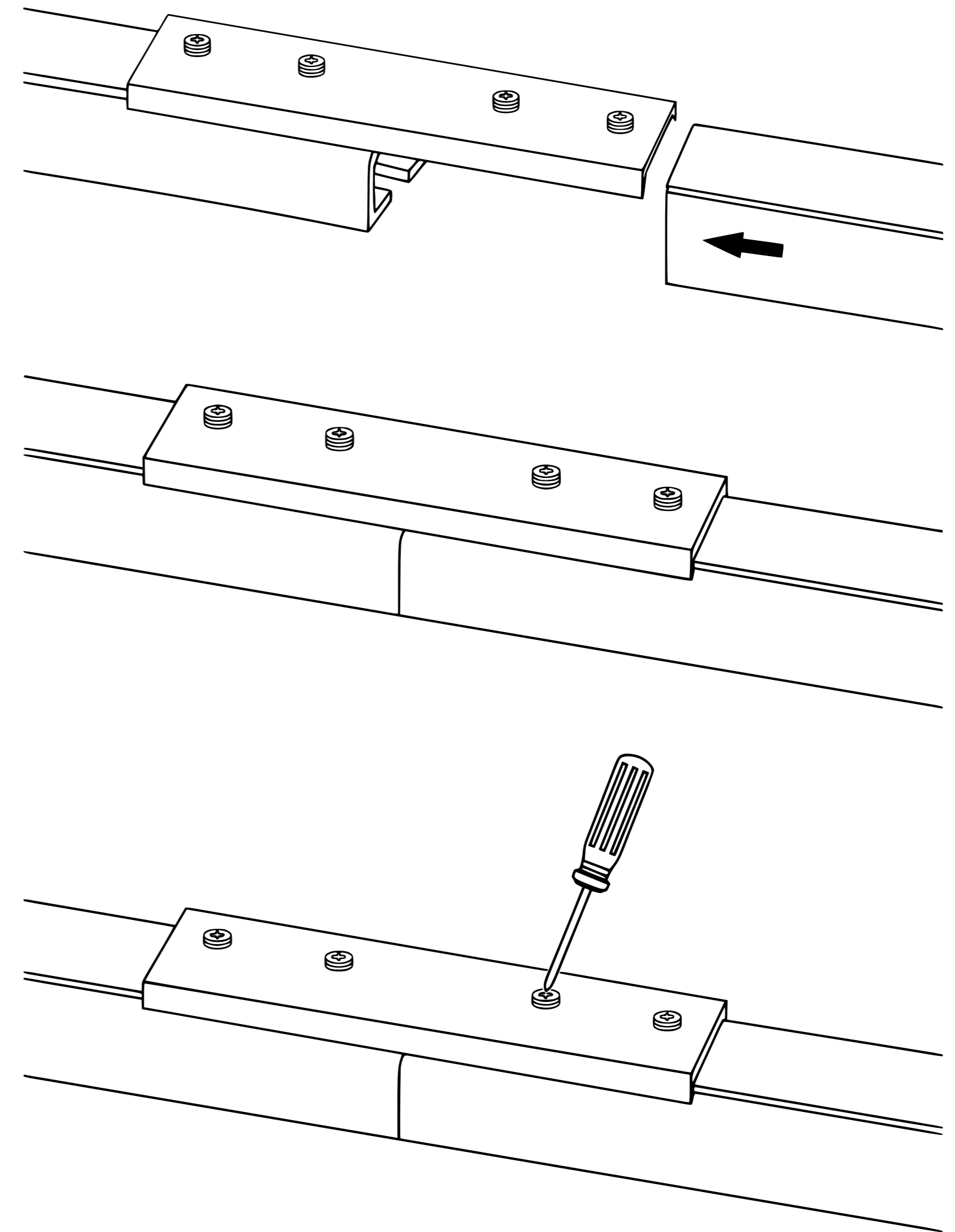
Ceiling Mounted:

1. Attach the ceiling mounted holding bracket to the curtain track.
2. Secure the screws to mount the tracks.



Wall Mounted:

1. Attach the wall mounted holding bracket to the curtain track.
2. Secure the screws to mount the tracks.



Connect Two Tracks :

- Insert the connect above the curtain tracks.
- Combine the two curtain tracks and ensure there is no gap.
- Tighten the screws to secure.