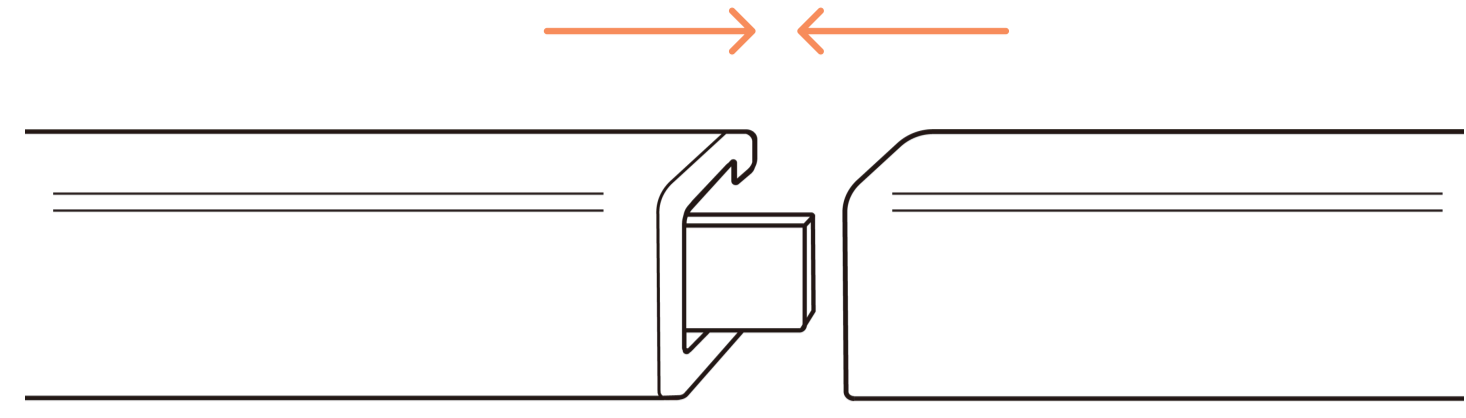


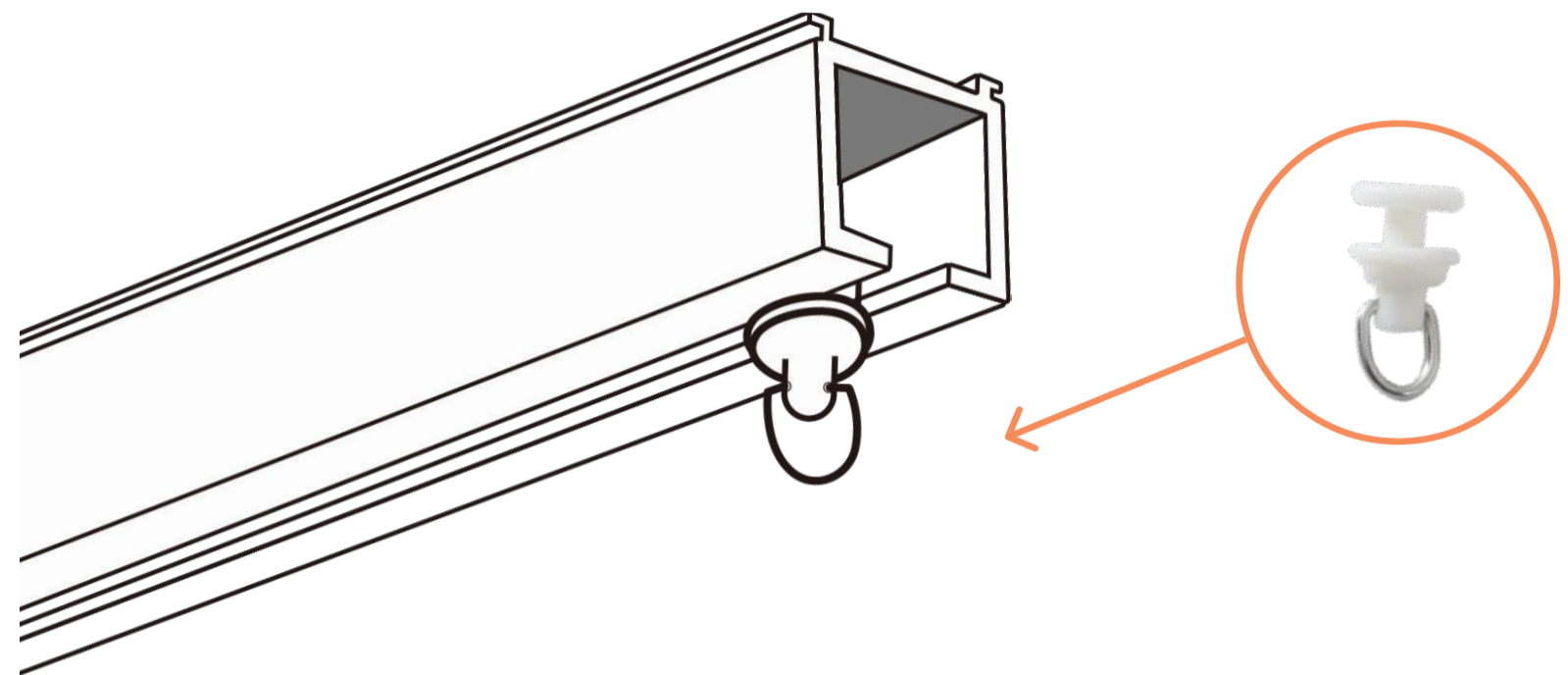
Step 1

Connect the curtain tracks with connectors or cut the curtain tracks to size.



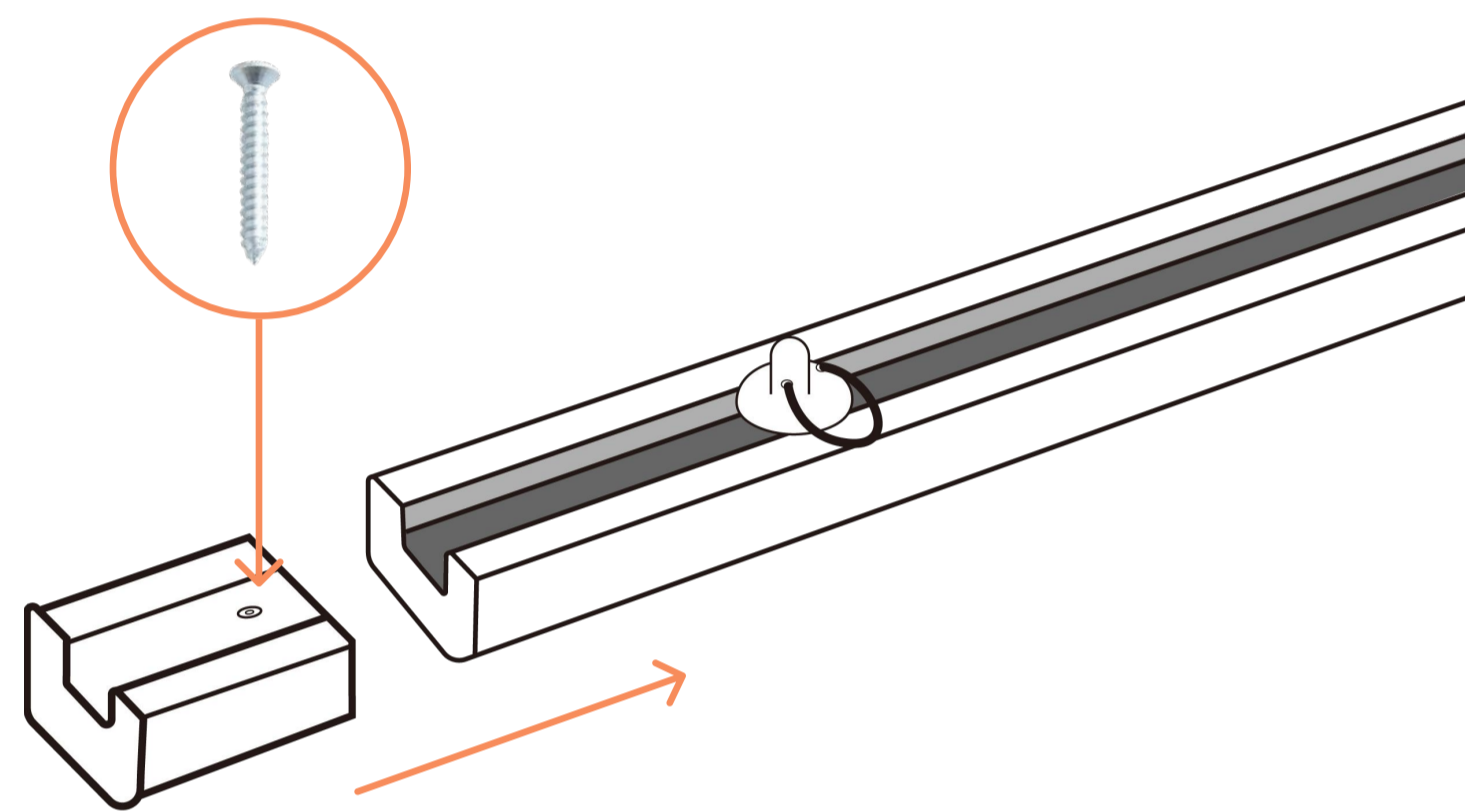
Step 2

Load the track rollers into the tracks.



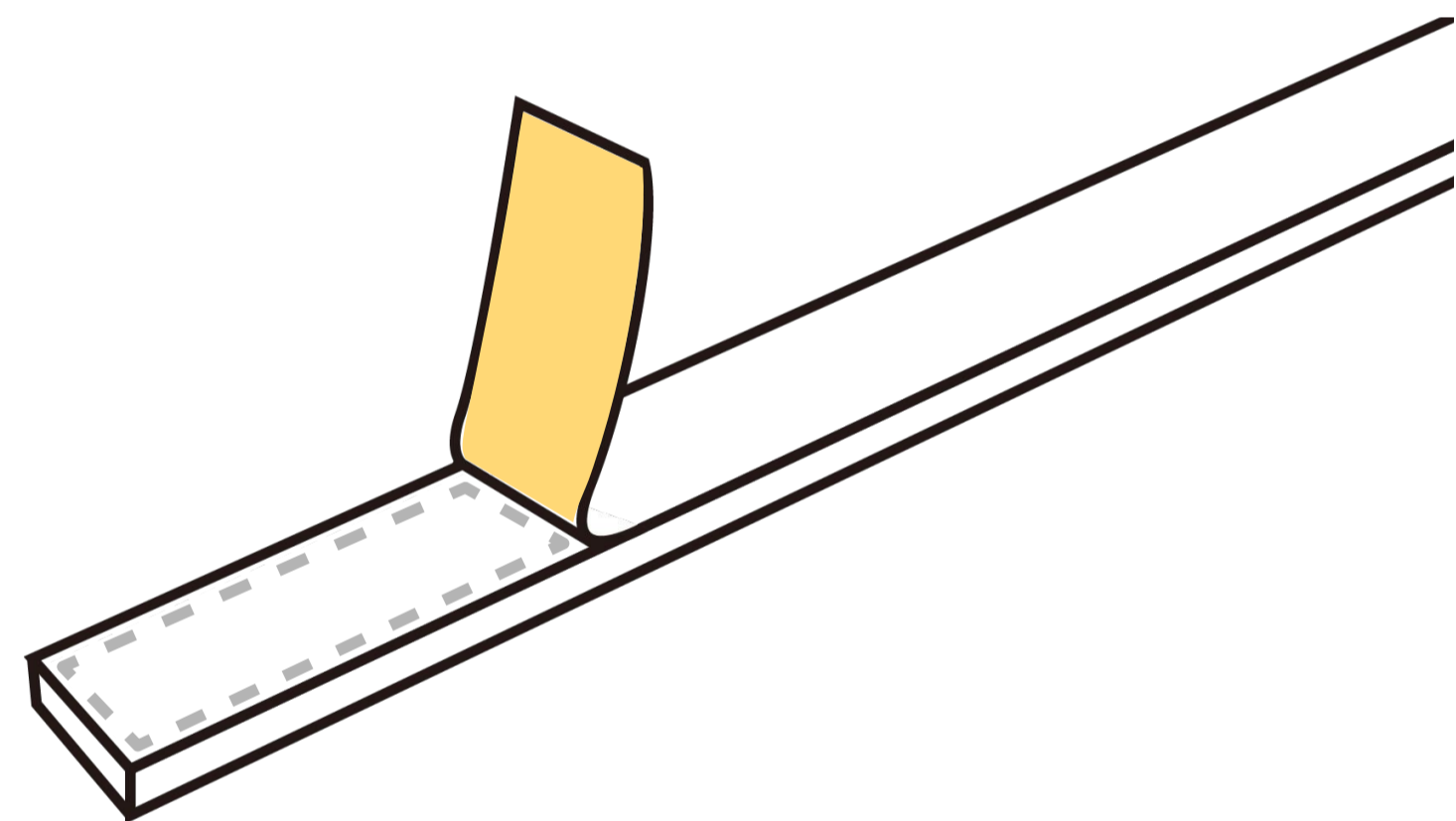
Step 3

Install end covers on both ends of the tracks and secure the end covers with screws.



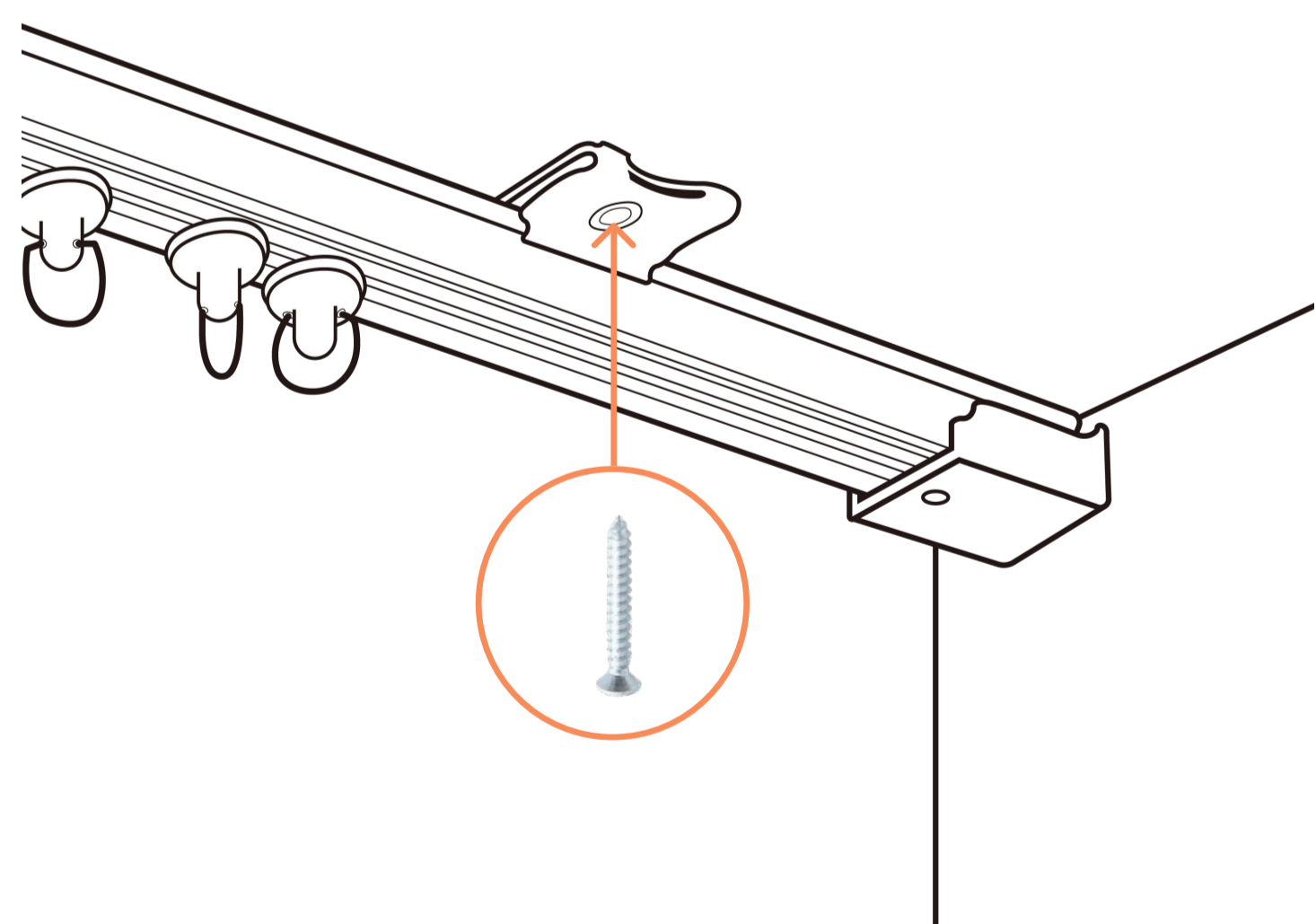
Step 4

Peel the sticker.



Step 5

Screw on the brackets for a more secured attachment.



Step 6

Hang curtains.

